



2021 LAKE UMUZI RALLY – ROUNDS 5 & 6

BULLETIN : 3

DATE: 07 October 2021

TIME: 18:00

Dear Competitors,

Due to a location change of the Service Park for Rounds 5 & 6, the following amendments are necessary in the Roadbook. Please alter accordingly :

1. SS 1 T.W Stene to Service A
 - A. Box 52 – Change to TURN RIGHT 25.37km
 - B. Box 53 – Change to TURN LEFT into Service Park
 - C. DELETE BOXES 54 -56
2. ADD NEW LIAISON SECTION – ATTACHMENT 1 – Service A to SS 2 T.W Stene
3. SS 3 Silkaatskop to Service B
 - A. Box 35 – Change to TURN RIGHT into Service 21.66km
 - B. Box 26 – Service in 21.70km
4. ADD NEW LIAISON SECTION - ATTACHMENT 2 – Service B to SS 4 Dewald
5. SS 5 & 6 Billy to Service / Parc Ferme
 - A. Box 36 – Change to TURN RIGHT 25.01km
 - B. Box 37 – Change to TURN LEFT to Service Park 25.25km
 - C. Service / PF in 25.29km

Attachments :

- 1 – Attachment 1 – Service A to SS 2 T.W Stene
- 2 – Attachment 2 – Service B to SS 4 Dewald
- 3 – Itinerary v. 8




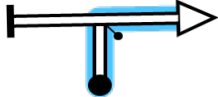



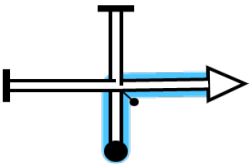















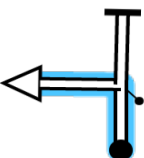

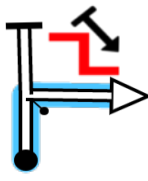






William Louw
Clerk of the Course

Permit Nr : MSA 16680



From TC 1B Service A		DISTANCE:		DAY:	1			
To TC 1C T.W Stene 2		11,64 Km		SECTION:	2			
		AVERAGE:		TIME ALLOWED:				
		53.72 kph		13 min				
DISTANCE		DIRECTION	INFORMATION	DISTANCE				
TOTAL	PARTIAL			REGRESS				
0,00	0,00	 1	 TC 1B Service A  <table border="1"> <tr><td>S-026°36.035'</td></tr> <tr><td>E-029°14.090'</td></tr> <tr><td>ALT: 0 m</td></tr> </table>	S-026°36.035'	E-029°14.090'	ALT: 0 m	11,64	
S-026°36.035'								
E-029°14.090'								
ALT: 0 m								
0,03	0,03	 2	 Stop. Turn Right !!! Traffic	11,62				
0,28	0,25	 3	 Stop. Turn Left	11,37				
9,47	9,19	 4	Turn right onto the Myn pad	2,17				
11,40	1,93	 5	 Turn Right. Grootvlei	0,24				
11,64	0,24	 6	 TC 1C T.W Stene 2 (0,0)  <table border="1"> <tr><td>S-026°31.756'</td></tr> <tr><td>E-029°15.347'</td></tr> <tr><td>ALT: 0 m</td></tr> </table>	S-026°31.756'	E-029°15.347'	ALT: 0 m	0,00	
S-026°31.756'								
E-029°15.347'								
ALT: 0 m								

From TC 3B Service B		DISTANCE: 6,72 Km		DAY: 1			
To TC 3C Dewald		AVERAGE: 50.4 kph		SECTION: 3			
				TIME ALLOWED: 8 min			
DISTANCE		DIRECTION	INFORMATION	DISTANCE REGRESS			
TOTAL	PARTIAL						
0,00	0,00	 1	 TC 3B Service B  <table border="1"> <tr><td>S-026°36.039'</td></tr> <tr><td>E-029°14.090'</td></tr> <tr><td>ALT: 0 m</td></tr> </table>	S-026°36.039'	E-029°14.090'	ALT: 0 m	6,72
S-026°36.039'							
E-029°14.090'							
ALT: 0 m							
0,04	0,04	 2	 Stop. Turn Right onto Tar. !!! Traffic	6,68			
0,29	0,25	 3	 Stop. Turn Left	6,43			
0,42	0,13	 4	Onto Gravel	6,30			
6,60	6,18	 5	 Turn Left through gate	0,12			
6,65	0,05	 6	 Turn Right Down hill	0,07			
6,72	0,07	 7	 TC 3C Dewald (0,0)  <table border="1"> <tr><td>S-026°32.603'</td></tr> <tr><td>E-029°14.325'</td></tr> <tr><td>ALT: 0 m</td></tr> </table>	S-026°32.603'	E-029°14.325'	ALT: 0 m	0,00
S-026°32.603'							
E-029°14.325'							
ALT: 0 m							



2021 LAKE UMUZI RALLY

TIME & DISTANCE SCHEDULE - ROUND 5



REV 8

7-Oct

No	Description	Date	Due Time (hrs:mins)
1	Optional Recce - ALL Stages - Single Pass. Sign on at HQ	FRI, 8 Oct	07:00
2	Publication of Start List at Rally HQ	FRI, 8 Oct	by 09:30
3	Competitors Briefing	FRI, 8 Oct	09:30
4	Cars into Holding at Eastvaal Motors	FRI, 8 Oct	by 09:00

RS No	TC No.	SS No.	Stage / Service Park Description	Stage Location	SS Distance	Liaison Distance	Total Distance	Target Time	First Car Clock-in	First Car Due
-------	--------	--------	----------------------------------	----------------	-------------	------------------	----------------	-------------	--------------------	---------------

Section 1 - Friday, 8 October

1	0		Ceremonial Start at Eastvaal Motors	EASTVAAL MOTORS		11,53	11,53	13		10:00
	0A		Ceremonial Start At Eastvaal Motors To T.W Stene 1							10:13
2	1	SS 1	T.W STENE 1	T.W STENE	20,60			25	3	10:16
	1A		T.W Stene 1 To Mrf Service A (20 Mins)			5,02	25,62			
SP IN										
MRF SERVICE A (20 Mins)										
					TJORRIE	20,60	16,55	37,15	20	
	1B		SP OUT							11:01

SECTION 1

Section 2 - Friday, 8 October

	1C		Mrf Service A (20 Mins) To T.W Stene 2		-	11,62	11,62	13		11:14
3	2	SS 2	T.W STENE 2	T.W STENE	20,60	-	-	35	3	11:17
	2A		T.W Stene 2 To Silkaatskop			14,68	35,28			11:52
4	3	SS 3	SILKAATSKOP	SILKAATZKOP	8,84	-	-	25	3	11:55
	3A		Silkaatskop To Mrf Service B (40 Mins)			12,86	21,70			
SP IN										
MRF SERVICE B (40 Mins)										
					TJORRIE	29,44	39,16	68,60	40	
	3B		SP OUT							13:00

SECTION 2

Section 3 - Friday, 8 October

	3C		Mrf Service B (40 Mins) To Dewald			6,72	6,72	8		13:08
6	4	SS 4	DEWALD	T.W GROUP	8,75	-	-	13	3	13:11
	4A		Dewald To Billy 1			2,86	11,61			13:24
7	5	SS 5	BILLY 1	T.W STENE	13,24			25	3	13:27
	5A		Billy 1 To Mrf Service C (20 Mins)			12,05	25,29			
SP IN										
MRF SERVICE C (20 Mins)										
					TJORRIE	21,99	21,63	43,62	20	

SECTION 3

Section 4 - Friday, 8 October

8	5B		SP OUT					8		14:12
	5C		Mrf Service C (20 Mins) To Billy 2			6,09	6,09			14:20
9	6	SS 6	BILLY 2	T.W STENE	13,24			25	3	14:23
	6A		Billy 2 To Parc Fèrme In			12,05	25,29			14:48
	6B		Parc Fèrme IN	TJORRIE						15:13

SECTION 4

ROUND 5 - RALLY TOTALS

85,27 78,93 180,75

SUNSET 18:07





2021 LAKE UMUZI RALLY TIME & DISTANCE SCHEDULE - ROUND 6



REV 8

7-Oct

No	Description	Date	Due Time (hrs:mins)
1	Publication of Start List at Rally HQ	Sat, 9 Oct	by 08:30
2	Competitors Briefing	Sat, 9 Oct	08:30
3	Cars into Holding at Eastvaal Motors	Sat, 9 Oct	08:00

RS No	TC No	SS No	Stage / Service Park Description	Stage Location	SS Distance	Liaison Distance	Total Distance	Target Time	First Car Clock-in	First Car Due	
Section 1 - Saturday, 9 October											
1	0		Ceremonial Start at Eastvaal Motors	EASTVAAL MOTORS		11,53	11,53	13		9:00	
	0A		Ceremonial Start At Eastvaal Motors To T.W Stene 1							9:13	
2	1	SS 1	T.W STENE 1	T.W STENE	20,60			25	3	9:16	
	1A		T.W Stene 1 To Mrf Service A (20 Mins)			5,02	25,62				
			SP IN							9:41	
			MRF SERVICE A (20 Mins)	TJORRIE	20,60	16,55	37,15	20			
	1B		SP OUT							10:01	
Section 2 - Saturday, 9 October											
	1C		Mrf Service A (20 Mins) To T.W Stene 2		-	11,62	11,62	13		10:14	
3	2	SS 2	T.W STENE 2	T.W STENE	20,60	-	-	35	3	10:17	
	2A		T.W Stene 2 To Silkaatskop			14,68	35,28			10:52	
4	3	SS 3	SILKAATSKOP	SILKAATSKOP	8,84	-	-	25	3	10:55	
	3A		Silkaatskop To Mrf Service B (40 Mins)			12,86	21,70				
			SP IN							11:20	
			MRF SERVICE B (40 Mins)	TJORRIE	29,44	39,16	68,60	40			
	3B		SP OUT							12:00	
Section 3 - Saturday, 9 October											
	3C		Mrf Service B (40 Mins) To Dewald			6,72	6,72	8		12:08	
6	4	SS 4	DEWALD	T.W GROUP	8,75	-	-	13	3	12:11	
	4A		Dewald To Billy 1			2,86	11,61			12:24	
7	5	SS 5	BILLY 1	T.W GROUP	13,24			25	3	12:27	
	5A		Billy 1 To Mrf Service C (20 Mins)			12,05	25,29				
			SP IN							12:52	
			MRF SERVICE C (20 Mins)	TJORRIE	21,99	21,63	43,62	20			
Section 4 - Saturday, 9 October											
	5B		SP OUT					8		13:12	
	5C		Mrf Service C (20 Mins) To Billy 2			6,09	6,09			13:20	
9	6	SS 6	BILLY 2	T.W STENE	13,24			25	3	13:23	
	6A		Billy 2 To Parc Fèrme In			12,05	25,29			13:48	
	6B		Parc Fèrme IN	TJORRIE						14:13	
ROUND 6 - RALLY TOTALS					85,27	78,93	180,75				

SUNSET 18:07

