



# MOTORSPORT SOUTH AFRICA

Groupe / Group

## R2N

Homologation N°

**A-S25729**

Extension N°

**17/14 VR2N**

### HOMOLOGATION EXTENSION FORM

Homologation valid as from

**3 MARCH 2018**

**X VR2N** Rally Variant R2N

#### 101. MANUFACTURER OF THE VEHICLE

**FORD MOTOR COMPANY SOUTH AFRICA**

#### 102. MODEL AND TYPE OF THE VEHICLE

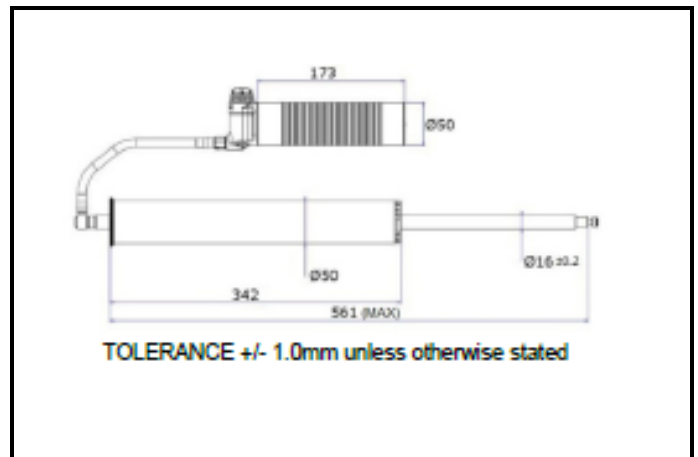
a) Model and type **FIESTA R2**

Page or Extension n°	Article	Description	Photo n°
1	707	Front damper type 4.	<u>1</u>
		Front damper type 4, dimensions.	<u>2</u>
2	707	Front damper tube, type 4.	<u>3</u>
		Front damper tube, type 4, dimensions.	<u>4</u>

PHOTO 1: 707, Front damper type 4.



PHOTO 2: 707, Front damper type 4.



Type: telescopic.  
Principle: hydraulic with gas.  
Make: Reiger.  
Reference: **5062/G02**



# MOTORSPORT SOUTH AFRICA

Grupe / Group

## R2N

Homologation N°

**A-S25729**

Extension N°

**17/14 VR2N**

PHOTO 3: 707 Front damper tube , type 4.



PHOTO 4: 707, Front damper tube, type 4, dimensions.

